

VT STANDARD LOUVERS WITH PROFILE DRAWINGS

VT has established the following standard wood and metal louvers for all flush door facilities. Other louver options may be available. Reference vendor websites for technical information.

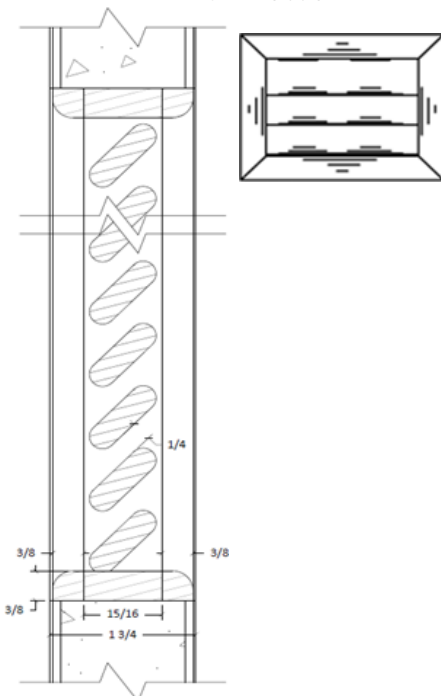
General Information:

- VT does not allow louvers in 20 Minute Rated or Non-Rated Smoke doors
 - In the IBC, based on positive pressure, all 20 Minute applications prohibit the use of louvers. In this code, all 20 Minute applications are considered smoke control, require the "S" label, and specifically state that louvers are not allowed. Where the enforceable code or AHJ allow the use of fusible link louvers Intertek/Warnock Hersey may allow their use. This is a smoke management issue, not a fire approval issue.
- VT does not allow louvers on 45/60/90 Minute Rated doors with exit devices

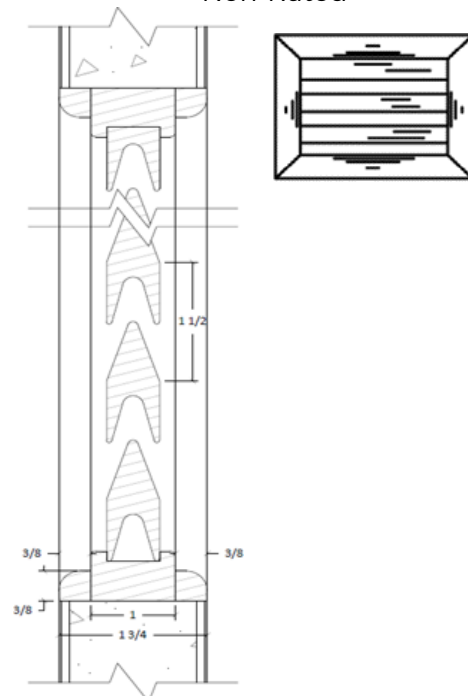
VT Standard Wood Louvers:

- Available at Non-Rated doors only
- VT offers chevron or oval flat slat louvers as standard wood louvers (see below)
- Oval flat slat louvers will have a center mullion if over 16" wide (Chevron do not)
- VT installs wood louvers as a standard
- VT standard is to factory finish/paint to match doors
- Wood louvers are offered in a variety of species

Oval Flat Slat Wood Louver
Non-Rated



Chevron Wood Louver
Non-Rated

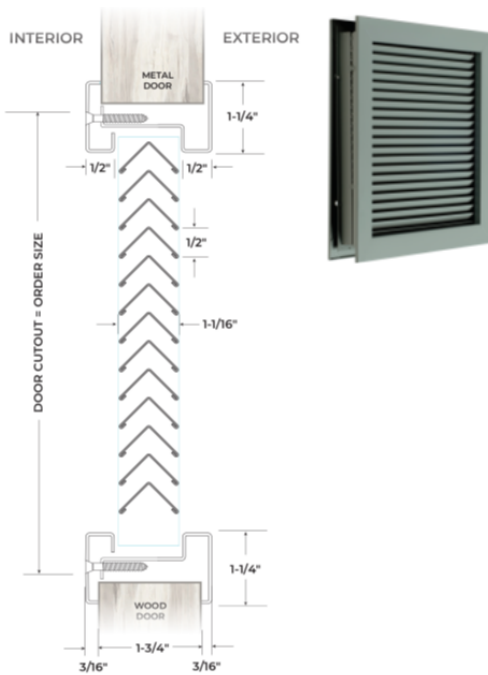


VT STANDARD LOUVERS WITH PROFILE DRAWINGS

VT Standard Metal Louvers

- Available at Non-Rated and Fire Rated doors (see standards below)
 - Fusible link louvers meet 45/60/90 Minute Fire Ratings
- VT offers NGP as a standard vendor for metal louvers
 - Reference NGP (National Guard Products) website for more information
 - Louvers are powder coated in supplier standard colors
 - Reference Field Finishing information on NGP website for field finishing requirements
- VT ships metal louvers direct from vendor as a standard

NGP L-700-RX
Non-Rated Standard



NGP L-1900
Fire Rated Standard

