

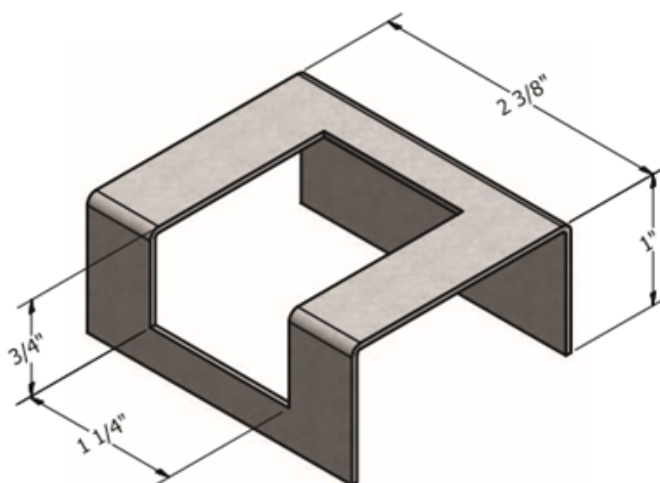
CONCEALED VERTICAL ROD/CHANNEL EXIT DEVICES

Fire Rated Doors:

- VT fire approvals require 5" metal channels on 20-90 minute fire rated doors receiving concealed vertical rod/channel exit devices, except for some 20-45 minute approvals at Neenah and Two Rivers locations
- For detailed information concerning maximum width/height allowances, fire pin requirements, and other restrictions and limitations, reference VT's [Fire Door Capability Chart and other Fire Door Resources](#)
- Installation of the channels at these devices is required to maintain the lifetime of installation warranty on all VT Industries doors

Non-Rated Doors:

- Non-Rated doors are provided with CVR/CVC clips at the top and bottom of the device preparation, as a standard
 - If channels are needed for non-rated CVR/CVC applications, they must be requested
- Clips are installed over the top and bottom latch prep using a tension fit
 - The leg with the $\frac{3}{4}$ " x $1\frac{1}{4}$ " cutout is to be installed on the stop face of the door to allow the top latch actuator to function
 - If desired, a small portion of adhesive may be applied to the back side of the clip prior to installation, for additional security
- Installation of the clips at these devices is required to maintain the lifetime of installation warranty on all VT Industries doors



CVR Clip