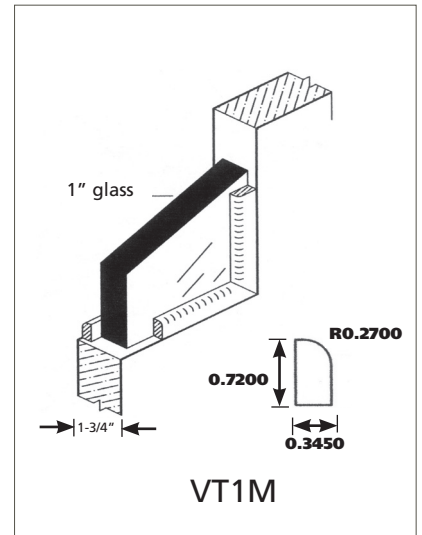
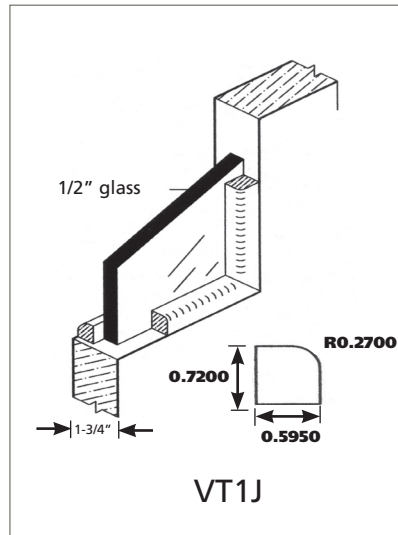
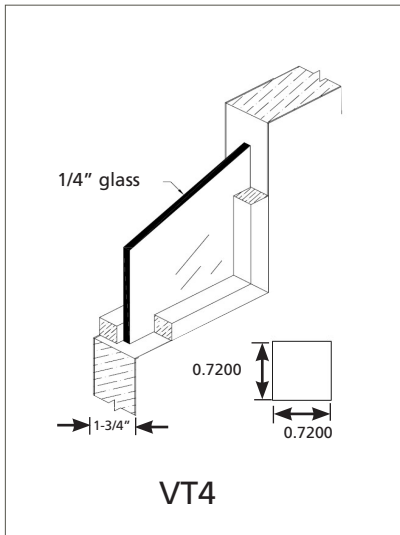
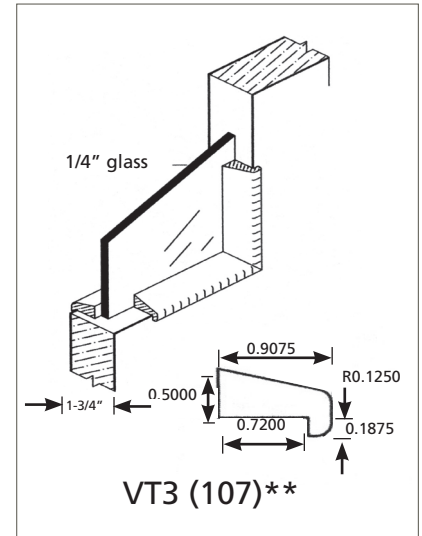
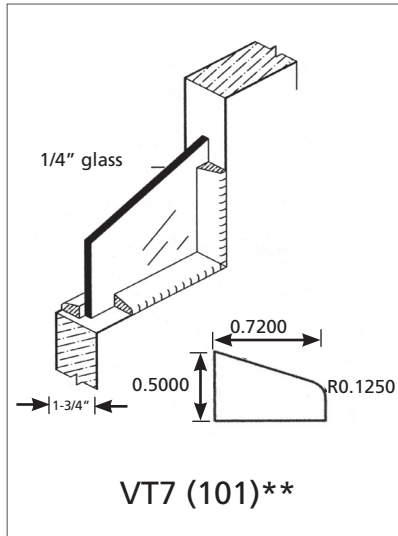
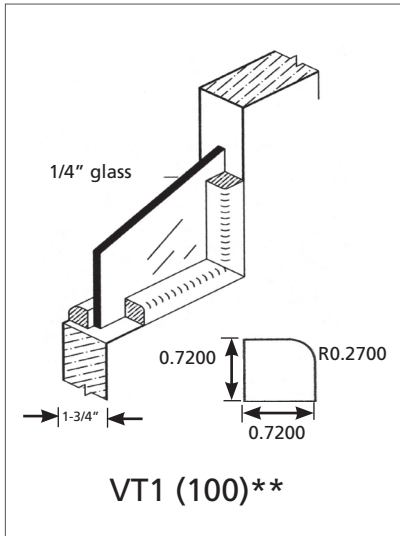


NON-RATED DOORS

Flush wood lite mouldings (also known as wood stops or beads) have one side fixed into place with brads at the factory. The other side is temporarily tacked into place so glass and glazing can be installed at the jobsite. Field fitting of glass and glazing is the responsibility of the installer. Use of a glazing tape or caulk is recommended to reduce glass rattle. All VT profiles have a tolerance of ± 0.005 . Factory installed glazing is available upon customer request.



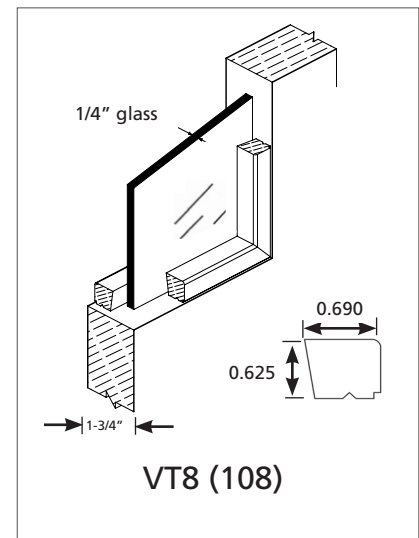
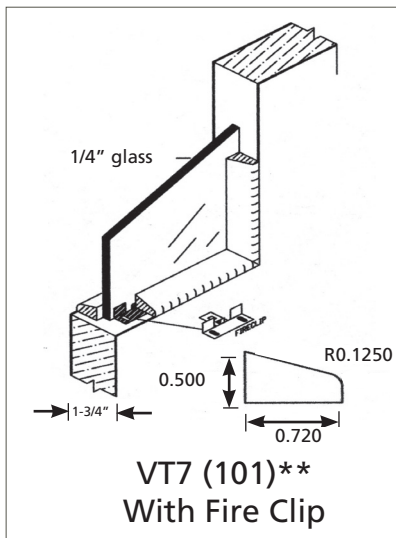
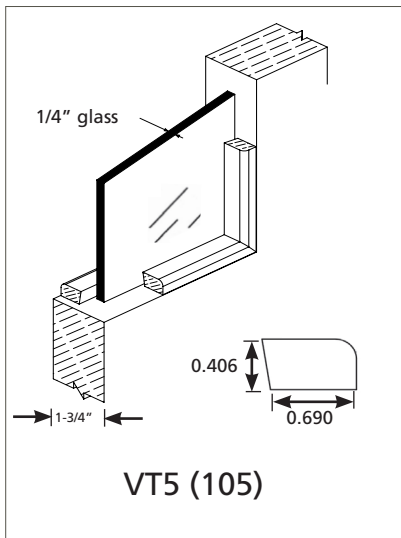
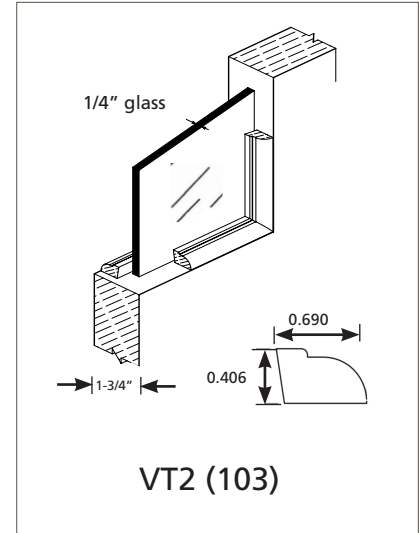
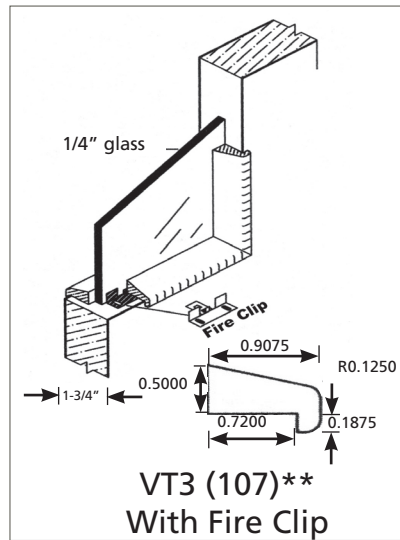
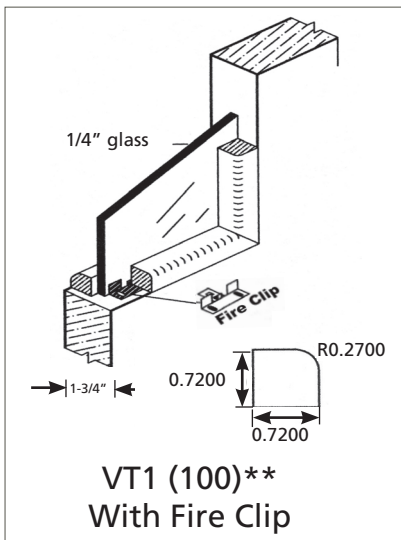
NOTES:

- Refer to Lead Lined section on [Specialty Doors web page](#)
- VT wood stops available for glass thicknesses other than noted above, please specify glass thickness on quote request or order. Contact your Customer Service Representative for questions or additional information.

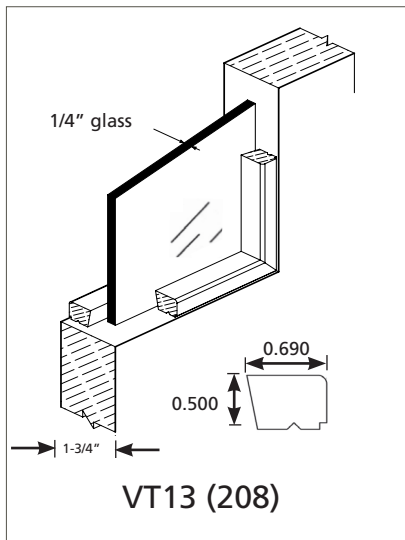
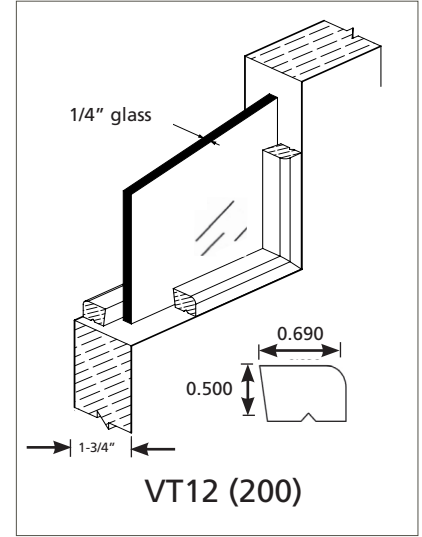
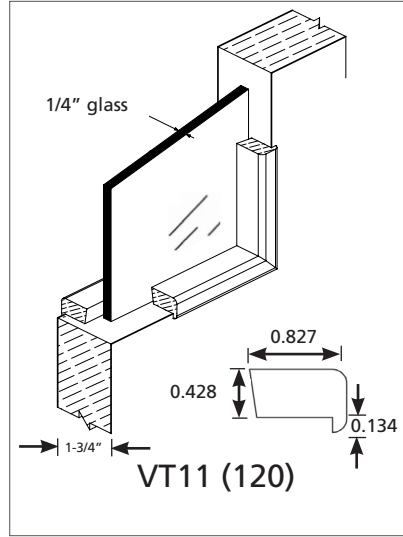
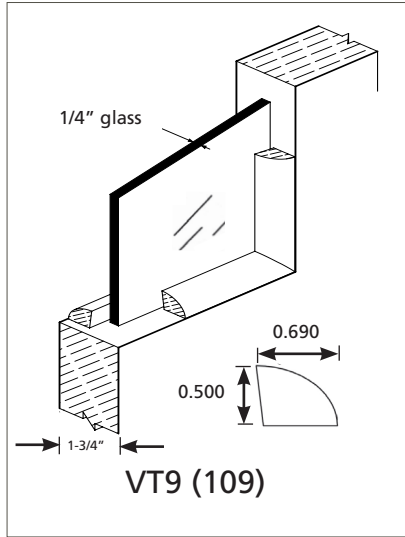
** Dimensions may vary slightly depending on manufacturing facility.

20-MIN. FIRE RATED DOORS

VT wood lite mouldings have one side fixed into place with brads at the factory, along with one-half of Fire Clip™. The other side is temporarily tacked into place, so glass and glazing can be installed at the jobsite. Remaining halves of Fire Clips™ are shipped loose, to be installed with glass. Field fitting of glass and glazing is the responsibility of the installer. Use of a glazing tape or caulk is required. All VT profiles have a tolerance of ± 0.005 . Factory installed glazing is available upon customer request.

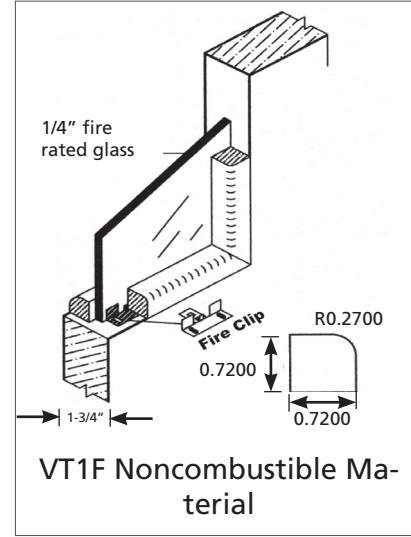
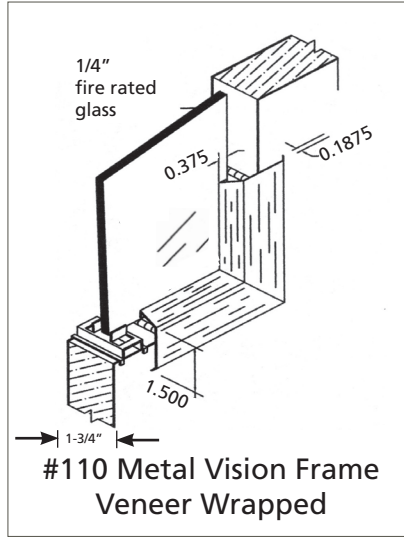
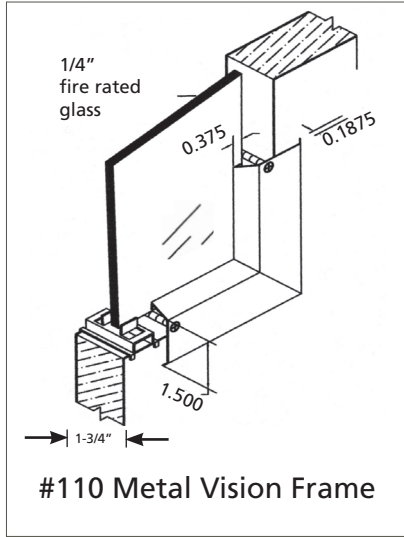


20-MIN. FIRE RATED DOORS (Cont'd)

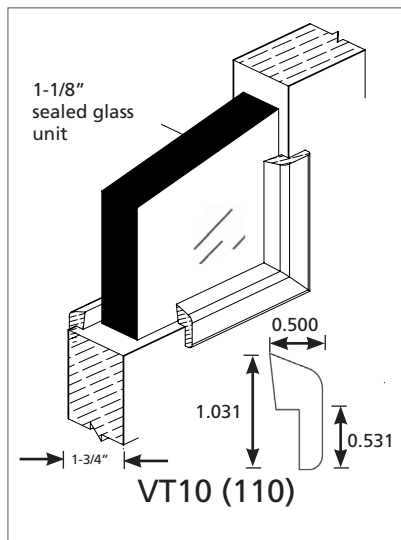
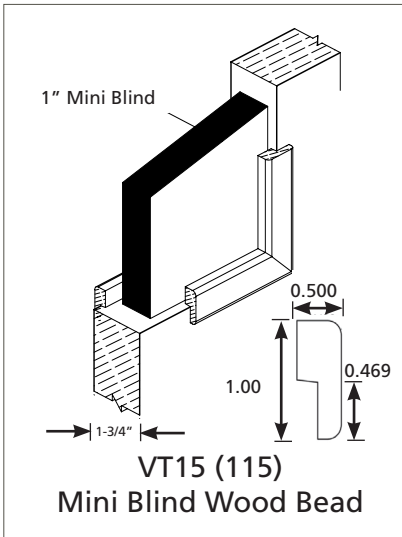
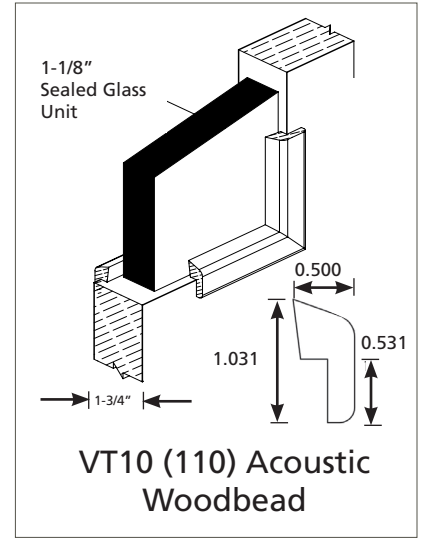
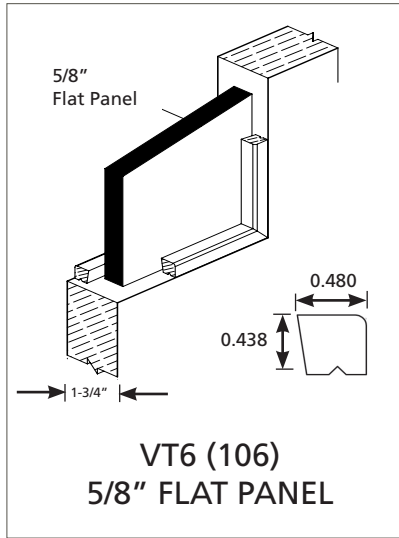
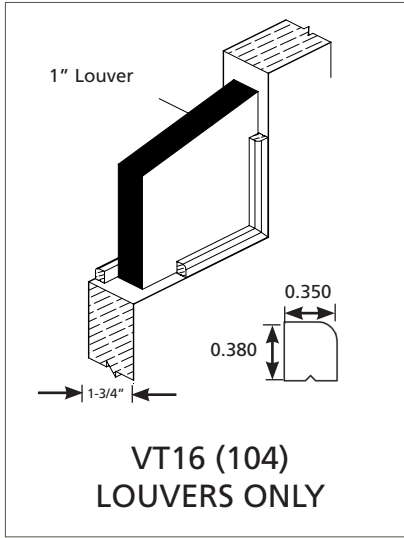


45-, 60-, 90-MIN. FIRE RATED DOORS

Metal vision panels arrive with beige polyester powder coating. Other paint colors are available for additional cost.



SPECIALTY CONSTRUCTIONS





Calculating Visible Lite Dimension	
Profile	Visible Lite = Cutout - Dimension Listed Below
VT1 (100)	1-1/2"
VT1J	1-1/2"
VT1M	1-1/2"
VT1F	1-1/2"
VT1FP	1-1/2"
VT2 (103)	13/16"
VT3 (107)	1"
VT4	1-1/2"
VT5 (105)	13/16"
VT6 (106)	7/8"
VT7 (101)	1"
VT8 (108)	1-1/4"
VT9 (109)	1"
VT10 (110)	1"
VT11 (120)	55/64"
VT12 (200)	1"
VT13 (208)	1"
VT15 (115)	1-1/16"
VT16 (104)	3/4"

