



PROFILE DOOR ELEVATIONS

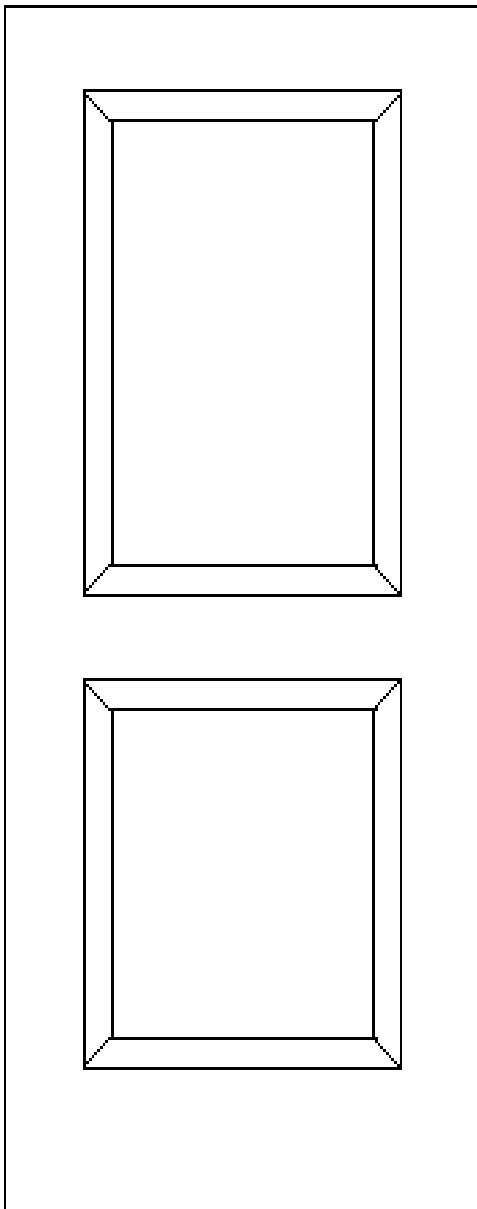
JOB NUMBER: _____ PAGE: _____ / _____

JOB NAME: _____

STANDARDS:* Top Rail: 6" Stile: 6"
 Bottom Rail: 10" Lock Rail: 6"

*Available Non-Rated and 20 Minute Positive Pressure Hollow Metal Frames only.
(C/L of Lock Rail location will match frame manufacturer standard C/L of strike location unless otherwise noted)

FS1021 **FA1021** **FC1021**



Dimensions

- Standard - see above
- Custom - fill in below

Top Rail: _____

Bottom Rail: _____

Hinge and Lock Stiles: _____

Lock Rail: _____

C/L of Lock Rail from TOD: _____

Routing Profile

- VT2
- VT3
- VT4

#Panel dimensions not specified will vary depending on prefit door size



PROFILE DOOR ELEVATIONS

JOB NUMBER: _____ PAGE: _____ / _____

JOB NAME: _____

STANDARDS:* Top Rail: 6" Stile: 6"
 Bottom Rail: 10" Mid Rail: 4"

* Available Non-Rated and 20 Minute Positive Pressure Hollow Metal Frames only.

FS1032 **FA1032** **FC1032**

Dimensions

- Standard - see above
- Custom - fill in below

Top Rail: _____

Bottom Rail: _____

Hinge and Lock Stiles: _____

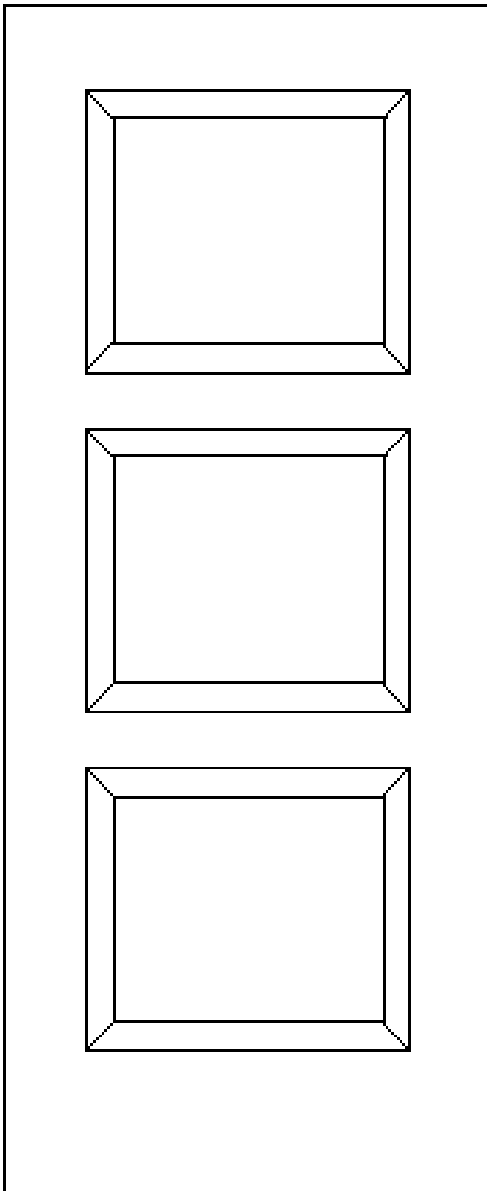
Mid Rail: _____

Panel Dimensions are Equal

Routing Profile

- VT2
- VT3
- VT4

#Panel dimensions will vary depending on prefit door size





PROFILE DOOR ELEVATIONS

JOB NUMBER: _____ PAGE: _____ / _____

JOB NAME: _____

STANDARDS:*	Top Rail: 6"	Stile: 6"	Mid Rail: 4"
	Bottom Rail: 10"	Mullion: 4"	Lock Rail: 6"

* Available Non-Rated and 20 Minute Positive Pressure Hollow Metal Frames only.
(C/L of Lock Rail location will match frame manufacturer standard C/L of strike location unless otherwise noted)

FS1041

Dimensions

- Standard - see above
- Custom - fill in below

Top Rail: _____

Bottom Rail: _____

Hinge and Lock Stiles: _____

Mullion: _____

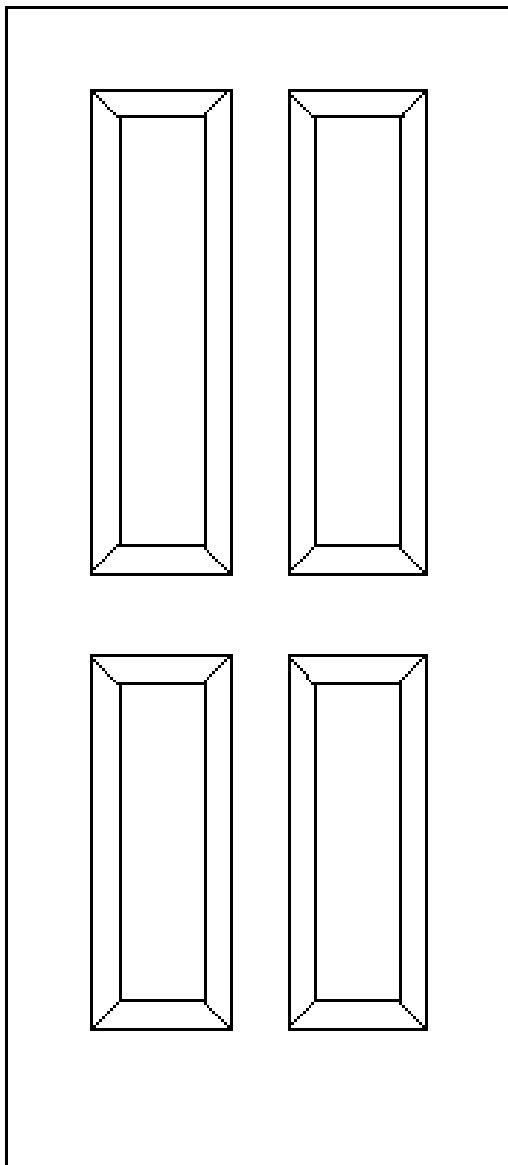
Lock Rail: _____

C/L of Lock Rail from TOD: _____

Routing Profile

- VT2
- VT3
- VT4

#Panel dimensions will vary depending on prefit door size





PROFILE DOOR ELEVATIONS

JOB NUMBER: _____ PAGE: _____ / _____

JOB NAME: _____

STANDARDS:*

Top Rail: 6"
Bottom Rail: 10"

Stile: 6"
Mullion: 4"

* Available Non-Rated and 20 Minute Positive Pressure Hollow Metal Frames only.

FS1052

Dimensions

- Standard – see above
- Custom – fill in below

Top Rail: _____

Bottom Rail: _____

Hinge and Lock Stiles: _____

Mid Rail: _____

Panel Dimensions are Equal

Routing Profile

- VT2
- VT3
- VT4

#Panel dimensions will vary depending on prefit door size

